



R e m o t e a i r v a l v e s

Individual mounting

sub-base

Series

1100

55

56

57

58

59

700

900

82

6300

6500

6600

2700

1800

ISO 1

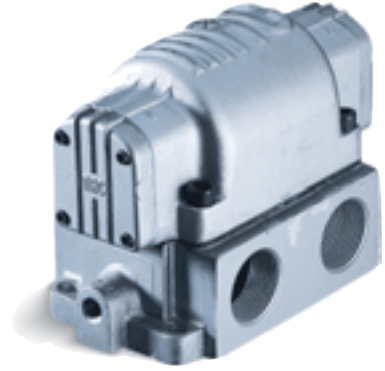
ISO 2

ISO 3

Function	Port size	Flow [Max]	Individual mounting	Series
4/2 - 4/3	3/4" - 1" - 1 1/4" - 1 1/2"	15.9 C_v	sub-base	

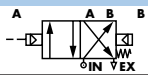
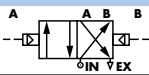
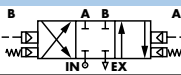
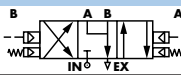
OPERATIONAL BENEFITS

1. Balanced spool, immune to variations of pressure.
2. Short stroke with high flow.
3. The piston (booster) provides maximum shifting forces.
4. Powerful return thanks to the combination of mechanical and air springs.
5. Bonded spool with minimum friction, shifting in a glass-like finished bore.
6. Wiping effect eliminates sticking.
7. Low leakage rate.



- 1100
- 55
- 56
- 57
- 58
- 59
- 700
- 900
- 82
- 6300
- 6500
- 6600
- 2700**
- 1800
- ISO 1
- ISO 2
- ISO 3

HOW TO ORDER

Port size	Pilot air	4/2 Single operator	4/2 Double operator	4/3 Closed center	4/3 Open center
					
Valve less base		2701G-1			
Sub-base 3/4" NPTF	Internal	2721G-1			
Sub-base 1" NPTF		2731G-1			
Sub-base 1 1/4" NPTF		2751G-1			
Sub-base 1 1/2" NPTF		2761G-1			
Valve less base			2701G-2	2703G-2	2707G-2
Sub-base 3/4" NPTF	External	2721G-2	2723G-2	2727G-2	2728G-2
Sub-base 1" NPTF		2731G-2	2733G-2	2737G-2	2738G-2
Sub-base 1 1/4" NPTF		2751G-2	2753G-2	2757G-2	2758G-2
Sub-base 1 1/2" NPTF		2761G-2	2763G-2	2767G-2	2768G-2

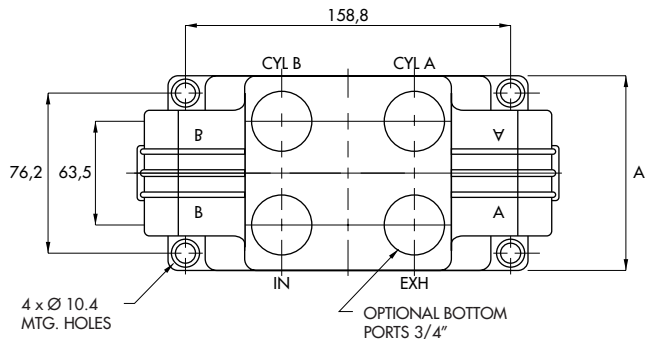
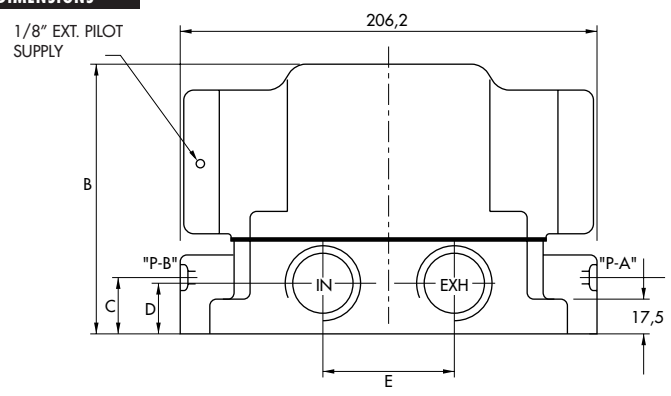
TECHNICAL DATA

Fluid :	Compressed air, vacuum, inert gases
Pressure range :	Vacuum to 150 PSI
Air signal pressure :	Single operator and 3 positions : 25 to 150 PSI \geq main valve pressure Double operator : 10 to 150 PSI
Lubrication :	Not required, if used select a medium aniline point lubricant (between 180°F to 210°F)
Filtration :	40 μ
Temperature range :	0°F to 120°F (-18°C to 50°C)
Flow (at 6 bar, $\Delta P=1\text{bar}$) :	3/4" : (11.5 C _v), 1" : (13.4 C _v), 1 1/4" : (15.4 C _v), 1 1/2" : (15.9 C _v)
Leak rate :	100 cm ³ /min

- Spare parts : • Remote air end plate : R-00016B. • Pressure seal between valve and base : 16083. • Mounting screw valve to base (x4) : 32214.
- Options : • BSPP threads.

DIMENSIONS

Dimensions shown are metric (mm)



PORT SIZE	A	B	C	D	E
3/4" NPTF	95.3	132.3	28.4	25.4	63.5
1" NPTF					
1 1/4" NPTF	114.3	148.3	23.9	30.2	76.2
1 1/2" NPTF					69.9