

### FEATURES

- For gas pilot and gas burner control on industrial atmospheric and forced draught burners, also used in kilns and furnaces in process industries
- All valves have been type tested to EN 161 and satisfy the European gas appliance directive (90/396/EC) as amended by 93/68/EEC Certificate of conformity British Gas No. BG/EC-87/95/166/M1
- All valves are for class A group 2 service and cover gas family 1 and 2
- All valves are suitable to withstand 150 mbar back pressure
- Brass bodied, low pressure valves designed to provide maximum flow
- Direct lift valves with resilient soft seating for tight shut-off
- The solenoid valves do not require a minimum operating pressure

### GENERAL

**Differential pressure** See "SPECIFICATIONS" [1 bar = 100 kPa]  
**Response time** 1 s max.

fluids (*)	temperature range (TS)	seal materials (*)
combustible gas	0°C to + 60°C	NBR (nitrile)

### MATERIALS IN CONTACT WITH FLUID

(\*) Ensure that the compatibility of the fluids in contact with the materials is verified

<b>Body</b>	Brass
<b>Core tube</b>	Stainless steel
<b>Core and plugnut</b>	Stainless steel
<b>Spring</b>	Stainless steel
<b>Seat</b>	Brass
<b>Seals</b>	NBR
<b>Disc</b>	NBR
<b>Shading coil</b>	Copper

### ELECTRICAL CHARACTERISTICS

<b>Coil insulation class</b>	F
<b>Connector</b>	Spade plug (cable Ø 6-10 mm)
<b>Connector specification</b>	ISO 4400 / EN 175301-803, form A
<b>Electrical safety</b>	IEC 335
<b>Electrical enclosure protection</b>	Moulded IP65 (EN 60529)
<b>Standard voltages</b>	AC (~) : 24V - 48V - 115V - 230V / 50 Hz

(Other voltages and 60 Hz on request)

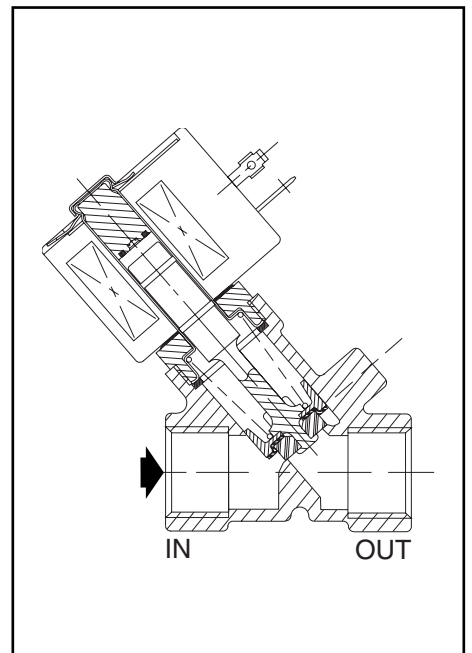
prefix option	power ratings				operator ambient temperature range (TS) (C°)	replacement coil		type <sup>(1)</sup>
	inrush ~	holding ~	hot/cold =			~	=	
	(VA)	(VA)	(W)	(W)		230 V/50 Hz	-	
EGSC	40	17	6	-	0 to + 60	400325-117	-	01

<sup>(1)</sup> Refer to the dimensional drawings on the following page.

### SPECIFICATIONS

pipe size	orifice size	flow <sup>(2)</sup>		operating pressure differential (bar)			power coil (W)		catalogue number
				min.	max. (PS)				
					gas (*)				
Rp	(mm)	(m³/h)	(l/min)		~	=	~	=	~
<b>NC - Normally closed</b>									
3/8	9,5	2,19	36,5	0	0,48	-	6	-	<b>EGSCE030B010</b>
1/2	11	3,41	56,8	0	0,14	-	6	-	<b>EGSCE030A016</b>

<sup>(2)</sup> For 2,5 mbar pressure drop air 1,0 s.g. at 1,013 mbar and 15°C.



### OPTIONS

- Mounting brackets, suffix MB
- Integrated strainer at the inlet port, used suffix D30
- Plug with visual indication and peak voltage suppression or with cable length of 2m (see Solenoids, Coils & Accessories section)

### INSTALLATION

- The solenoid valves can be mounted in any position without affecting operation
- Pipe connection identifier is E = Rp (ISO 7/1)
- Installation/maintenance instructions are included with each valve

### SPARE PARTS KIT

catalogue number	spare parts kit n°.	
	~	=
EGSCE030B010	<b>K312981</b>	-
EGSCE030A016	<b>K312980</b>	-

- Not available

### ORDERING EXAMPLES:

EGSC	E	030	B	010	230V / 50 Hz
EG	E	030	A	016	115V / 50 Hz

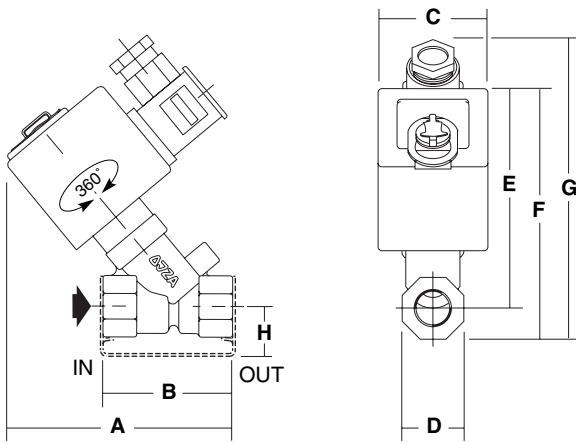
prefix ———> EGSC / EG  
 pipe thread ———> E  
 basic number ———> 030 B 010 / 030 A 016  
 voltage ———> 230V / 50 Hz / 115V / 50 Hz  
 suffix ———>

### ORDERING EXAMPLES KITS:

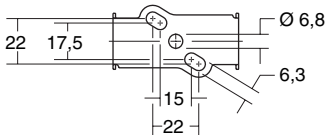
basic number	K312981
--------------	---------

### DIMENSIONS (mm), WEIGHT (kg)

**TYPE 01**  
 Prefix "EGSC" Solenoid  
 Epoxy moulded  
 IEC 335 / ISO 4400  
 IP65



bottom view  
mounting bracket



type	prefix option	catalogue number	A	B	C	D	E	F	G	H	weight <sup>(1)</sup>
01	EGSC	EGSCE030B010	75	48	39	22	77	88	122	20	0,5
		EGSCE030A016	87	58	39	28	82	96	130	22	0,5

<sup>(1)</sup> including coil and connector.