

FEATURES

- Remote-controlled compact valves
- High flow due to angled seat design
- Equipped with piston-type operators (50 or 63 mm dia.)
- Anti-waterhammer design (fluid entry under the disc)
- Operator rotatable through 360°
- The valves satisfy Pressure Equipment Directive 97/23/EC article 3.3

GENERAL

Differential pressure	See "SPECIFICATIONS" [1 bar =100 kPa]
Maximum allowable pressure	16 bar
Ambient temperature range	-10°C to +60°C
Maximum viscosity	600 cSt (mm ² /s)
Pilot fluid	Filtered air or water
Max. pilot pressure	10 bar
Min. pilot pressure	See below
Pilot fluid temperature	-10°C to +60°C
Response times	See page V402-5

fluids (*)	temperature range	disc seal (*)
water, air, inert gas, oil, hot water	- 10°C to + 95°C	NBR (nitrile)

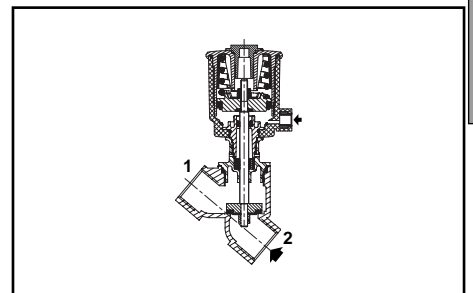
MATERIALS IN CONTACT WITH FLUID

(*) Ensure that the compatibility of the fluids in contact with the materials is verified

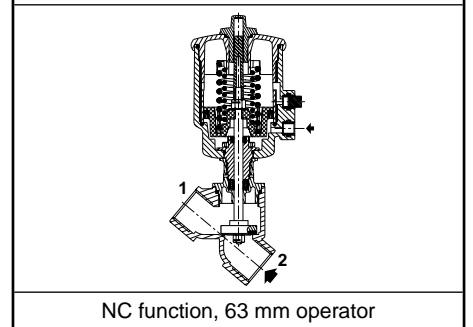
Valve body	Bronze
Stuffing box housing	Glass fibre filled PA
Stuffing box seal	NBR
Stem	Stainless steel
Disc	Brass
Disc seal	NBR
Valve body seal	NBR

OTHER MATERIALS

Operator	Glass fibre filled PA
Optical position indicator	PA 12, supplied standard on valves with 63 mm operator



NC function, 50 mm operator



NC function, 63 mm operator

SPECIFICATIONS

piping (ISO 6708)		flow coefficient Kv		pilot pressure (bar)		operating pressure differential (bar)			operator diameter (mm)	catalogue number
pipe size (G*)	DN	(m ³ /h)	(l/min)	min.	max.	min.	max.			
							air, inert gas (*)		water, oil (*)	
NC - Normally closed, entry under the disc										
1/2	15	4,9	82	4	10	0	10	10	50	E290A468
				2,5	10	0	10	10	63	E290A125
				1,5	10	0	5	5	63	E290A124
3/4	20	9,4	157	4	10	0	10	10	50	E290A469
				2,5	10	0	10	10	63	E290A127
				1,5	10	0	4	4	63	E290A126
1	25	12,8	213	4	10	0	6	6	50	E290A470
		4	10	0	10	10	63	E290A131		
		2,5	10	0	6	6	63	E290A130		
		1,5	10	0	3	3	63	E290A129		
NO - Normally open, entry under the disc										
1/2	15	4,9	82	(*)	10	0	10	10	50	E290A471
				(*)	10	0	10	10	63	E290A133
3/4	20	9,4	157	(*)	10	0	10	10	50	E290A472
				(*)	10	0	10	10	63	E290A134
1	25	12,8	213	(*)	10	0	10	10	50	E290A473
		16,5	275	(*)	10	0	10	10	63	E290A135

(*) Minimum pilot pressure varies with differential pressure, see overleaf.

OPTIONS AND ACCESSORIES (see V435)

- Signaling box or compact signaling unit
- Stroke limiter for opening
- Manual safety device
- Optical position indicator on 50 mm operator, NC function
- Adapter plate for NAMUR pad mounting pilot (63 mm operator only)
- Other pipe connections are available on request

INSTALLATION

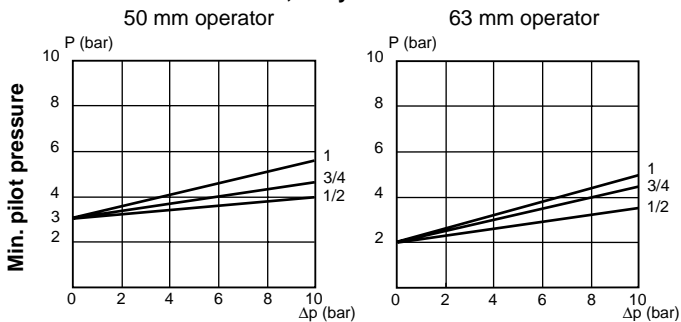
- The valves can be mounted in any position without affecting operation
- Compatible with ASTM 1 and 2 oils
- Pipe connections (G*) have standard combination thread according to ISO 228/1 and ISO 7/1
- Installation/maintenance instructions are included with each valve

SPARE PARTS KITS

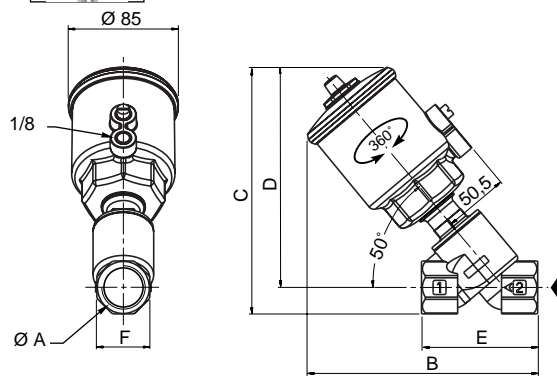
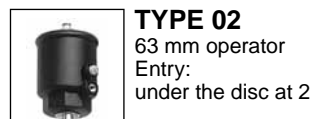
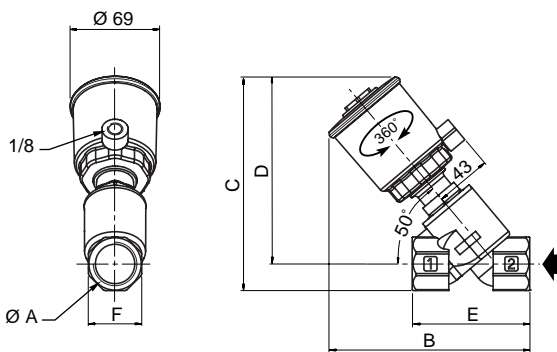
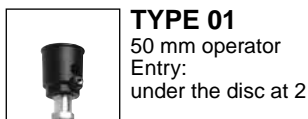
DN	spare parts kit no.
	Ø 50-63 mm
15	C131201
20	C131202
25	C131203

MINIMUM PILOT PRESSURE

NO valves, entry under the disc



DIMENSIONS (mm), WEIGHT (kg)



type	operator diameter	ØA	B	C	D	E	ØF	weight ⁽¹⁾
01	50 mm	1/2	139	146	133	65	27	0,8
		3/4	147	154	136	75	32	0,9
		1	164	164	144	90	41	1,2
02	63 mm	1/2	163	173	159,5	65	27	1
		3/4	171	181	165	75	32	1,1
		1	178,5	191	170,5	90	41	1,4

⁽¹⁾ Weight of valve without pilot.
Solenoid pilot valves: see V439 (50 and 63 mm operators).

ORDERING EXAMPLES:

	E	290 A 468	
	E	290 A 133	SM2
	E	290 A 469	SU
pipe thread	E	290 A 471	
basic number			suffix

ORDERING EXAMPLES KITS:

	C140204
	C140205
basic number	

