



73S SERIES SELECTOR VALVES

One Tenakill Park • Cresskill, NJ 07626 • (201)568-9100 • Fax:(201)568-2126 • www.hoke.com

Hoke's new 73S Series Selector Valves are designed to allow either switching or selection of the fluid stream in process analyzer, instrumentation or gas chromatography applications. User-convenient 5-way and 7-way configurations are offered in 316 Stainless Steel as standard. The Hoke 73S Series Valve stands alone in offering a package of features including male nut design, low dead volume, and a sliding seal concept that not only makes these valves perfect for analytical applications but significantly extends product life as well.



Features

Low Dead Volume

Wide Temperature Range

Sliding Seal Principle

O-Ring Seals

Detent

On-Off Operation

Male Nut Configuration

Variety of End Connections

Bidirectional Flow

Standard Panel Mounting

Benefits

- Increased accuracy in analysis and measurements is the result of maximizing well swept flow volume

- Broader applications capability than other brands available

- Excellent performance over a long cycle life

- Reliable, economic sealing while providing the ability to match o-ring materials to the fluid

- Confidence of knowing plug is properly aligned because handle clicks into place with side ports

- A zero flow position is located between adjacent side ports

- Reduces internal volume

- Tubing or piping flexibility is provided by the availability of Gyrolok male nut or female NPT ends

- Flexibility is provided by the availability of valve to be used with either a common inlet or outlet

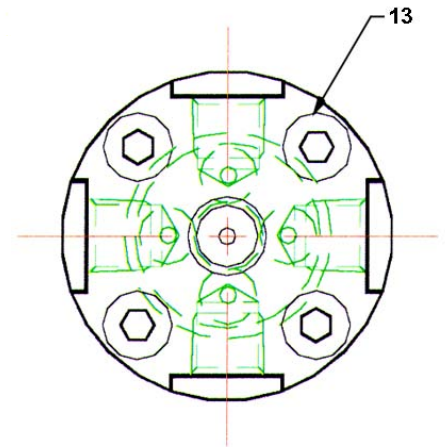
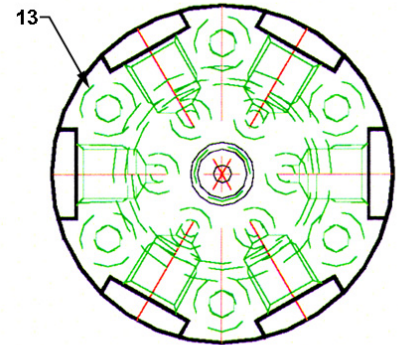
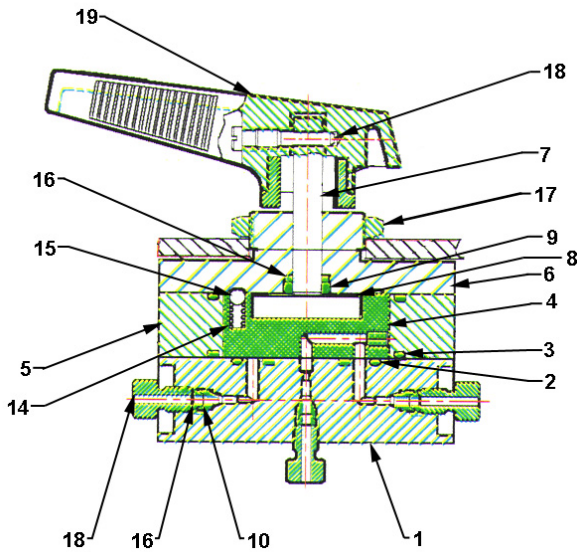
- Convenient for equipment installation

73S SERIES SELECTOR VALVES

Technical Data

Maximum Operating Pressure:	• Moderate vacuum to 500 PSIG (3.45MPa)
Operating Temperature Range:	• -40°F to 350°F (-40° to 175°C)
Pressure at Temperature:	• 500 PSIG @ 70°F, 200 PSIG @ 350°F
Orifice Sizes:	• 0.051", 0.093"
Cv Factors:	• 0.071 maximum depending on end connection
End Connections:	• 1/16" and 1/8" Gyrolok male nut and female NPT

Materials of Construction



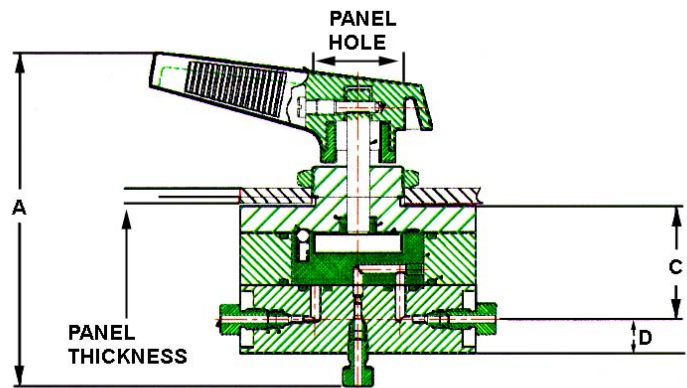
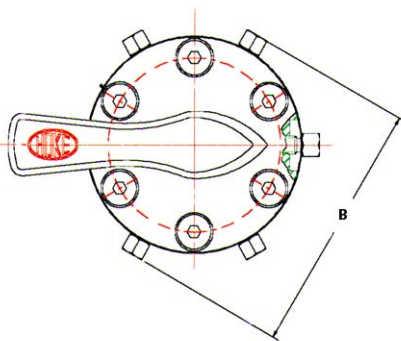
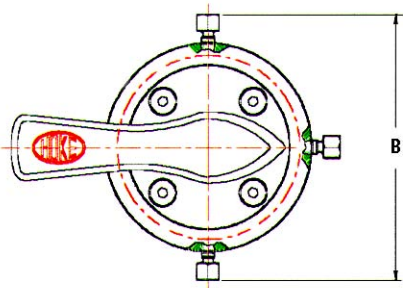
POSITION	TITLE	MATERIAL
<i>Wetted Parts</i>		
1	Bottom Plate	316 SST
2	O-Ring	FLUORO-ELASTOMER
3	O-Ring	FLUORO-ELASTOMER
4	Plug	PEEK
5	Middle Plate	316 SST
6	Top Plate	316 SST
7	Stem	FLUORO-ELASTOMER
8	Shim	TFE
9	O-Ring	FLUORO-ELASTOMER
10	Front Ferrule	316 SST
<i>Non-Wetted Parts</i>		
11	Rear Ferrule	316 SST
12	Male Nut	316 SST
13	Screw	316 SST
14	Spring	302 SST
15	Ball	440 C SST
16	Back-Up Ring	TFE
17	Panel Nut	316 SST
18	Pin, Handle	316 SST
19	Handle	NYLON

73S SERIES SELECTOR VALVES

How to Order

73S	3	7	7	G	2	Y
Series designation	Plug material	Number of ports	Seal material	End connection type	End connection size	Material
Selector Valves	3=PEEK	5=5 way 7=7 way	7=Fluoro-elastomer	G=Gyrolok F=Female NPT	in 1/16's of an inch 2=2/16=1/8"	316 Stainless Steel

Dimensional Tables *All dimensions in inches*



PART NO.	ORIFICE	A	B	C	D	PANEL HOLE DIA.	PANEL THICKNESS (MAX.)
73S377G1Y	0.051	3.255	2.63	1.08	0.66	0.890	0.187
73S377G2Y	0.093	3.405	3.15	1.13	0.76	0.890	0.187
73S377F1Y	0.093	2.925	2.00	1.08	0.33	0.890	0.187
73S377F2Y	0.093	2.925	2.25	1.08	0.33	0.890	0.187
73S357G1Y	0.051	3.255	2.63	1.08	0.64	0.890	0.187
73S357G2Y	0.093	3.405	3.08	1.13	0.76	0.890	0.187
73S357F2Y	0.093	2.925	2.00	1.08	0.33	0.890	0.187
73S357F1Y	0.093	2.925	2.00	1.08	0.33	0.890	0.187

Note: all dimensions are for reference only

73S SERIES SELECTOR VALVES

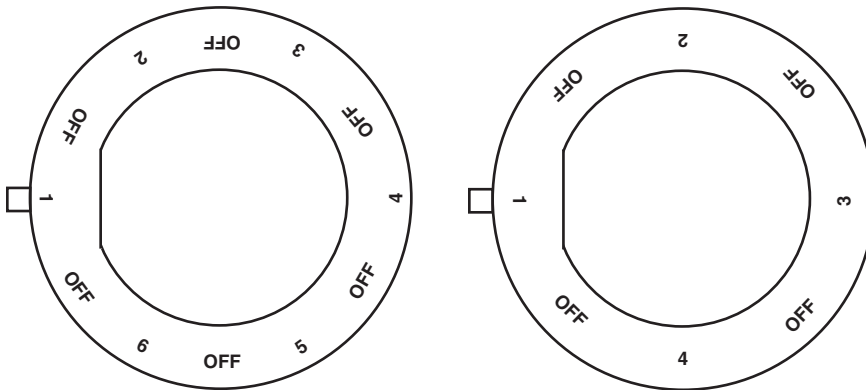
Selector Valve Options

Handle: An optional black oval handle is available. Order part number 95683-032. This flat trip-proof handle minimizes the risk of accidental operation while providing visual indication of side port in use.



Indicator Plates: Position indicator plates for identification of flow status information when valve is panel mounted are available.

Order as follows: 5-way Valves: 73S357K1
7-way Valves: 73S377K1



For other Hoke products, refer to your Hoke Binder or consult your Hoke distributor.

Distributed by: