

N 860 SERIES VACUUM PUMPS



N 860 FTE, chemically resistant



N 860 ANE



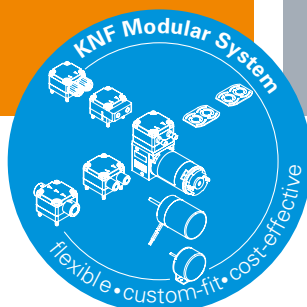
N 860.3 ANE

ADVANTAGES

- High chemical resistance
- High flow rate until deep vacuum conditions
- High-speed evacuation

POSSIBLE AREAS OF USE

- Vacuum drying oven
- Industrial laser technology – performing gas exchange
- Energy technology – production of photovoltaic cells



Please visit our website
www.knf.com
to get more information

PERFORMANCE DATA

Series model	N 860			N 860.3		
	ANE	ATE	FTE	ANE	ATE	FTE
Pump head	Aluminum			Aluminum		
Diaphragm	EPDM	PTFE-coated		EPDM	PTFE-coated	
Valves	EPDM	FFPM		EPDM	FFPM	
Flow rate at atm. pressure (l/min)	60.0					
Ultimate vacuum (mbar abs.)	80			2		
Max. operating pressure (bar rel./psig)	1.0/14.5					
Permissible ambient temperature (°C)	+5 ... +40					
Permissible media temperature (°C)	+5 ... +40					
Weight (kg/lbs)	12.7/27.9		12.5/27.5	14.7/32.3		14.3/31.5

ELECTRICAL DATA

Voltage (V)	230					
Motor	Capacitor motor					
Protection class motor	IP 54					
Frequency (Hz)	50					
Power P ₁ (W)	200			220		
I _{max} (A)	1.50			1.60		

ACCESSORIES

Description	Part No.	Details
Silencer	045993	G 3/8
Inlet filter	046164	G 3/8
Hose connector	045859	G 3/8 / Ms
Hose connector	046851	G 3/8 / PVDF
Gasket	044982	

SPARE PARTS

Description	Part No.	Details
Spare parts kit N 860 ANE	047496	
Spare parts kit N 860 ATE	047497	
Spare parts kit N 860 FTE	047497	
Spare parts kit N 860.3 ANE	047498	
Spare parts kit N 860.3 ATE	047499	
Spare parts kit N 860.3 FTE	047499	

The performance values for the series models shown on this data sheet were determined under test conditions. The actual performance values may differ and depend in particular on the usage conditions and therefore on the specific application, on the parameters of the components involved in the user's system and on any technical modifications carried out which deviate from the standard configuration or the as delivered condition.

If individual designs have been created for specific customers on the basis of series models, other technical performance data may apply.

Before operation begins, the relevant operating instructions and/or assembly or installation instructions should be read and the safety information contained in these instructions should be noted.

KNF reserves the right to make changes to the product and the associated documentation without prior notice to the customer.



www.knf.com

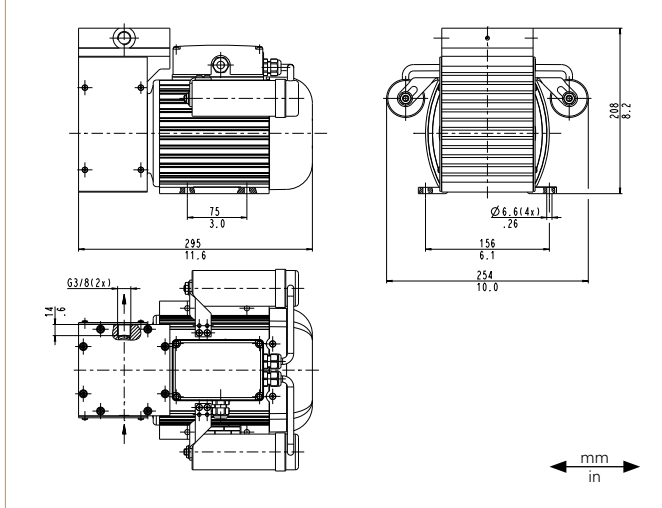
N 860 ANE | ATE | FTE

PERFORMANCE DATA

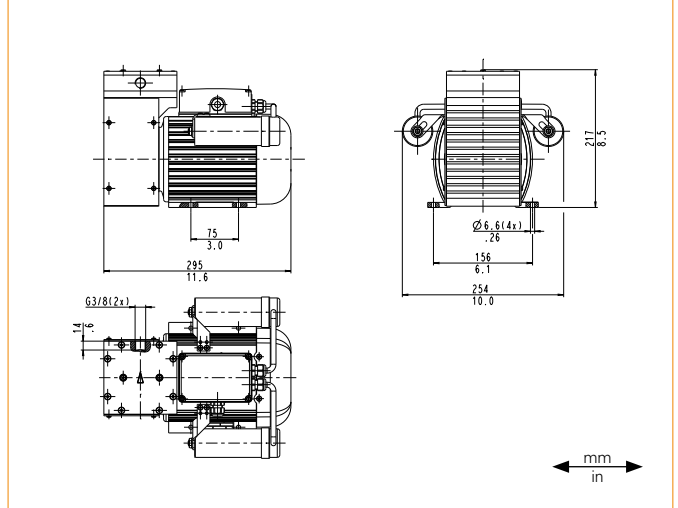
Series model	Flow rate at atm. pressure (l/min) ¹⁾	Max. operating pressure (bar rel./psig)	Ultimate vacuum (mbar abs.)
N 860 ANE	60.0	1.0/14.5	80
N 860 ATE	60.0	1.0/14.5	80
N 860 FTE	60.0	1.0/14.5	80

¹⁾ Liter at STP

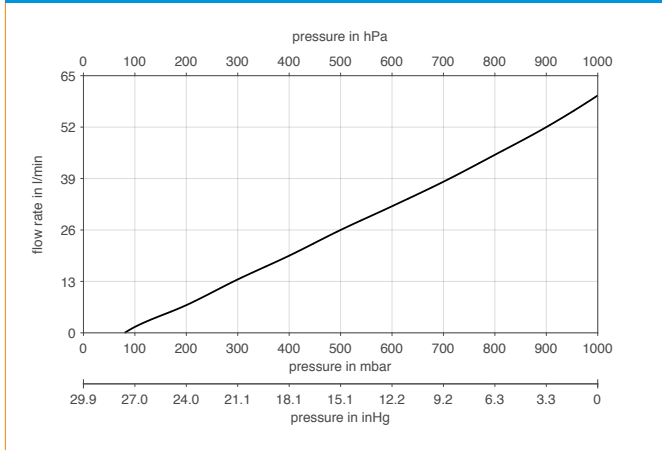
N 860 A_E



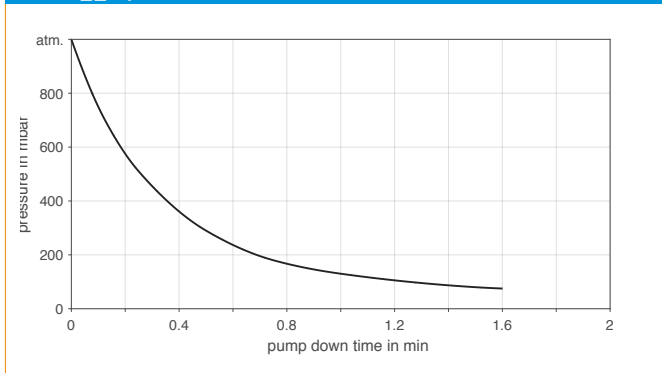
N 860 FTE



N 860 __E



N 860 __E | PUMP DOWN TIME FOR 20 LITER VESSEL



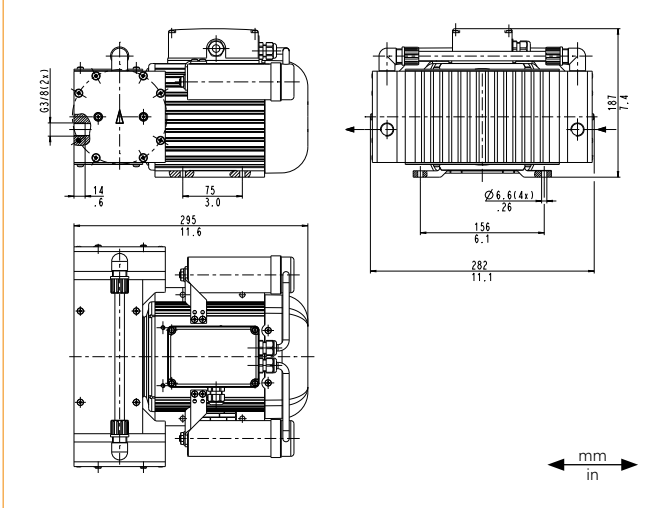
N 860.3 ANE | ATE | FTE

PERFORMANCE DATA

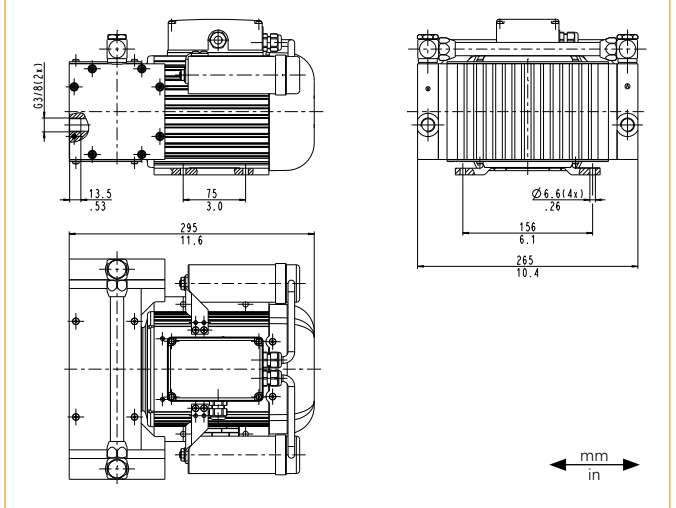
Series model	Flow rate at atm. pressure (l/min) ¹⁾	Max. operating pressure (bar rel./psig)	Ultimate vacuum (mbar abs.)
N 860.3 ANE	60.0	1.0/14.5	2
N 860.3 ATE	60.0	1.0/14.5	2
N 860.3 FTE	60.0	1.0/14.5	2

¹⁾ Liter at STP

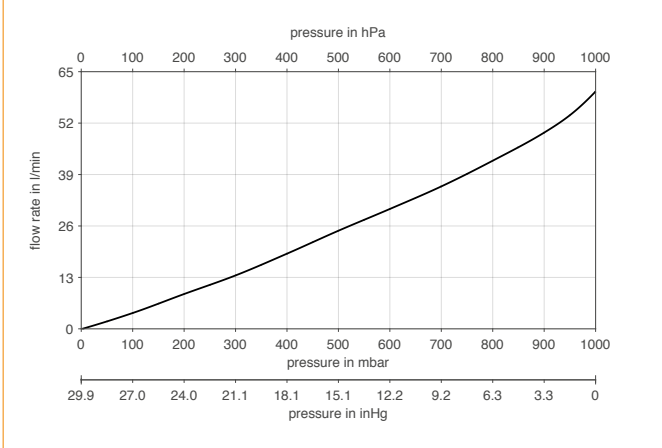
N 860.3 A E



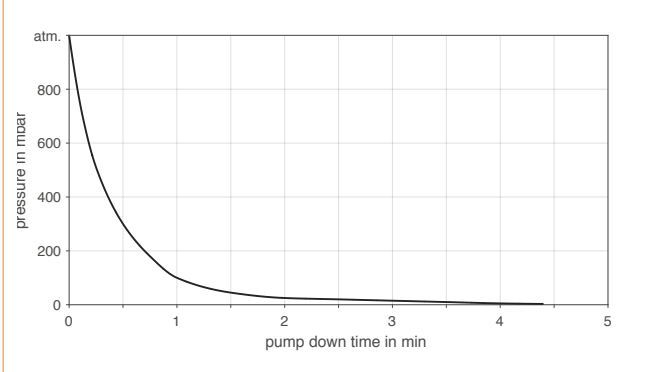
N 860.3 FTE



N 860.3 _ E



N 860.3 _ E | PUMP DOWN TIME FOR 20 LITER VESSEL



YOUR LOCAL PARTNER AROUND THE WORLD

KNF SALES ORGANIZATION

Australia KNF Regional Office
Moreland West VIC 3055
Tel. +61 3 9386 4959
info@knf.com.au
www.knf.com.au

Benelux Netherlands KNF Verder B.V.
3451 GG Vleuten
Tel. +31 30 677 92 40
info@knf-verder.nl
www.knf-verder.nl

Benelux Belgium and Luxemburg
KNF Verder N.V.
2630 Aartselaar
Tel. +32 3 871 96 24
info@knf.be
www.knf.be

China KNF Technology (Shanghai) Co., Ltd.
Shanghai 201203
Tel. +86 21 5109 9695
info@knf.com.cn
www.knf.com.cn

France KNF Neuberger SAS
68128 Village-Neuf
Tel. +33 389 70 35 00
info@knf.fr
www.knf.fr

Germany KNF Neuberger GmbH
79112 Freiburg
Tel. +49 7664 5909 0
info@knf.de
www.knf.de

India KNF Pumps + Systems (India) Pvt. Ltd.
Hinjewadi Pune 411 057
Tel. +91 20 640 13 923
info@knfpumps.in
www.knfpumps.in

Italy KNF Italia S.r.l.
20063 Cernusco s. Naviglio (MI)
Tel. +39 02 929 04 91
info@knf.it
www.knf.it

Japan KNF Japan Co. Ltd.
Tokyo 104-0033
Tel. +81 3 3551 7931
info@knf.co.jp
www.knf.co.jp

Korea KNF Neuberger Ltd.
135-502 Seoul
Tel. +82 2 959 0255
knf@knfkorea.com
www.knfkorea.com

Latin America KNF Regional Office
Tel. +1 609 649 1010
gb@knf.com
www.knf.com/es

Morocco, Tunisia, Algeria
KNF Neuberger SAS
68128 Village-Neuf
Tel. +33 389 70 35 00
info@knf.fr
www.knf.fr

Singapore KNF Regional Office
Tel. +65 9722 1994
info@knf.com.sg
www.knf.com.sg

Sweden, Finland, Denmark, Norway
KNF Neuberger AB
117 43 Stockholm
Tel. +46 8 744 51 13
info@knf.se
www.knf.se

Switzerland KNF Neuberger AG
8362 Balzerswil
Tel. +41 71 973 99 30
knf@knf.ch
www.knf.ch

UK, Ireland KNF Neuberger U.K., Ltd.
Witney, Oxfordshire OX28 4FA
Tel. +44 1993 77 83 73
info@knf.co.uk
www.knf.co.uk

USA, Canada KNF Neuberger, Inc.
Trenton, NJ 08691-1810
Tel. +1 609 890 8600
knfusa@knf.com
www.knfusa.com

KNF PRODUCT CENTERS

Gas Pumps KNF Neuberger GmbH
DE-79112 Freiburg
info@knf.de
www.knf.de

Micro Gas Pumps KNF Micro AG
CH-6260 Reiden
info@knf-micro.ch
www.knf-micro.ch

Liquid Pumps KNF Flodos AG
CH-6210 Sursee
info@knf-flodos.ch
www.knf-flodos.ch